



SHENZHEN TECHRISE ELECTRONICS CO., LTD.



DTZY876-ED31

THREE-PHASE FOUR-WIRE SMART METER WITH RF



DLMS COSEM



ISO certification



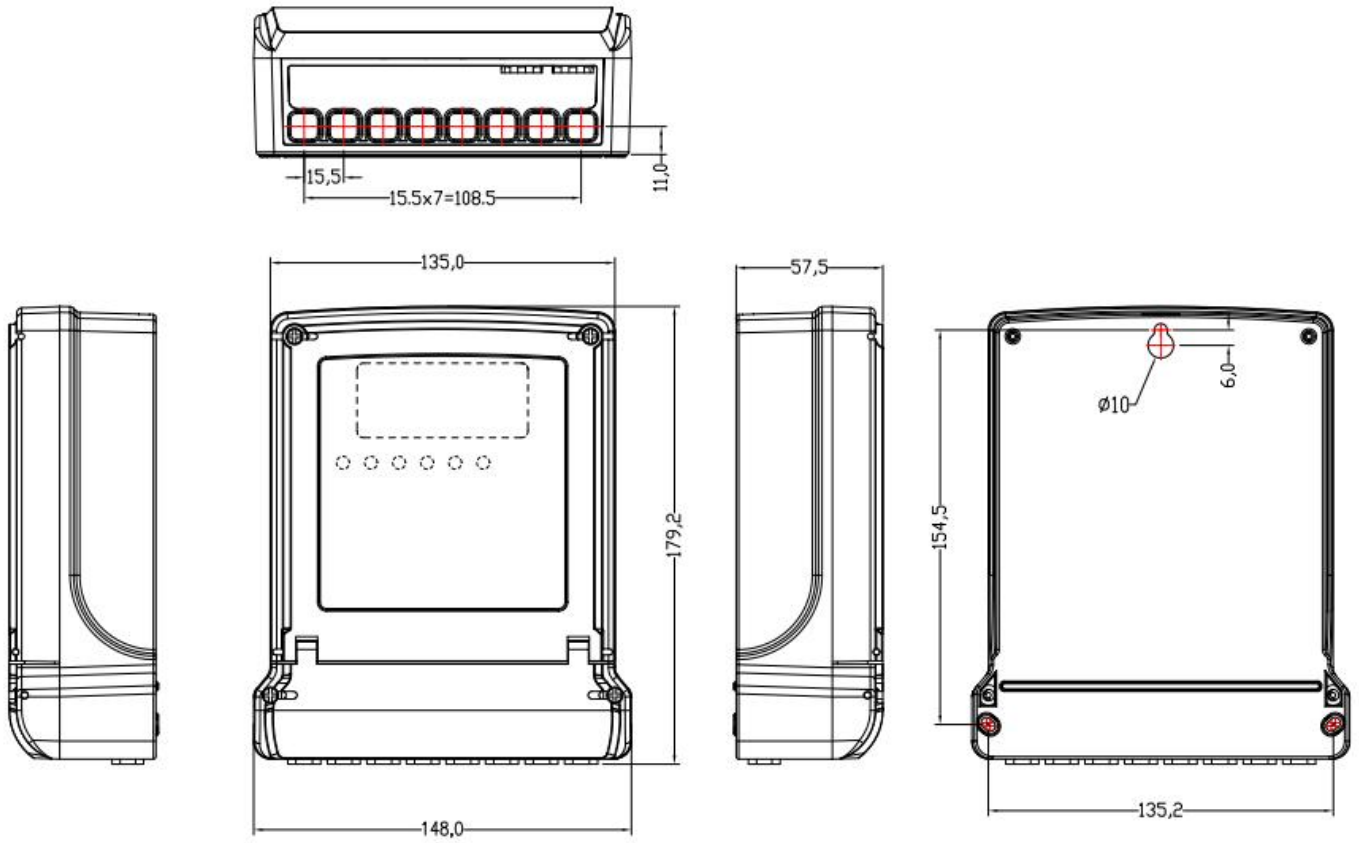
Anti-fraude



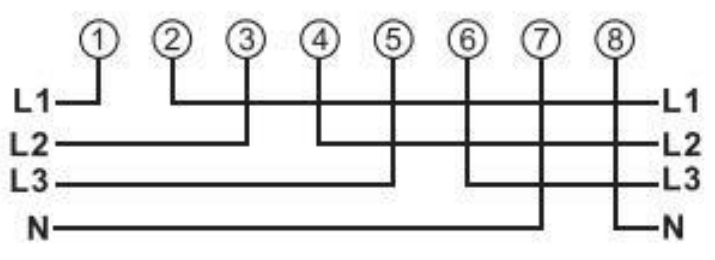
Communication

Accuracy class		Tariff	
Active energy	Class 1 (IEC 62053-21)	Tariff	Multitariff configurable 4 time ranges(TOU)
Reactive energy	Class 2 (IEC 62053-23)	Load profile	
Impulse constant	1000imp/kWh;1000imp/kVarh	Interval	15 min (configurable),60 days
Voltage		Communication	
Nominal voltage (Un)	3x127/220V	Communication module	RF(LoRa), IEC 62056-21, 9600bps
Limited voltage	0.8Un-1.15Un	Protocol	DLMS/COSEM
Frequency		Alarm&events	
Nominal frequency (Fn)	60Hz	Low battery	Terminal cove&main cover open
Limited frequency	60Hz±5Hz	Absence of voltage on phases	Power down
Current		Demand reset	Time synchronization
Basic current (Ib)	10A	Memory error	Unauthorized access attempts
Maximum current (Imax)	100A	Construction details	
Starting current	0.4%Ib	Protection level	IP54 (IEC60529-4)
Power consumption		Insulation system classification	II
Voltage circuit consumption	≤1.0W	Dimensions	179.2mm*148mm*57.5mm
Current circuit consumption	≤0.5VA	Installation method	BS5685
LED indicators		Materials	Main cover and terminal cover made of transparent polycarbonate material, resistant to UV rays (IEC 60068-2-5) and flame retardant.
LED indicators	1000imp/kWh	Terminals	Asymmetric(L1L1L2L2L3L3NN)
	1000imp/kvarh		Double staple type
	Loss voltage on phase L1	Hermetic	Main cover: Ultrasonic welding
	Loss voltage on phase L2		2 security seals
	Loss voltage on phase L3		2 unidirectional type screws
	Current reverse		Terminal cover: with independent devices for placing security seals
Measurement		Isolation level	
Number of elements	3 elements	AC tension	4kV/rms 1min
Instantaneous parameters	Voltage, Current, Power, power factor, frequency	Voltage impulse withstand	6kV 1.2/50μs
Energy consumption	A+, A-,RA+,RA-	Insulation protection class	Class II
Environmental conditions		Electromagnetic compatibility(EMC)	
Operation temperature	From -25°C to 70 °C	Electrostatic discharges	Contact 8kV, air15kV
Storage temperature	From -40°C to 85 °C	Surge immunity	6kV/6kA
Relative humidity	≤95%RH	Electrical fast transient	4kV
Display		Immunity to electromagnetic RF fields	10V/m @ Ib 30V/m without any current
LCD	Backlight type	Payment modes	
Dimensions	70mm*31mm	Modes	Post-paid
Digits	6 integers without decimals	Useful life	
Duration of staying on showing active energy in case of power down	1 hour	Useful life	>15 years
RTC			
Frequency	Oscillator frequency 32.768kHz		
Accuracy	Daily deviation):≤0.5s		
Power supply	Battery		
	3.6V 1200mAh		
Useful life	>15 years		

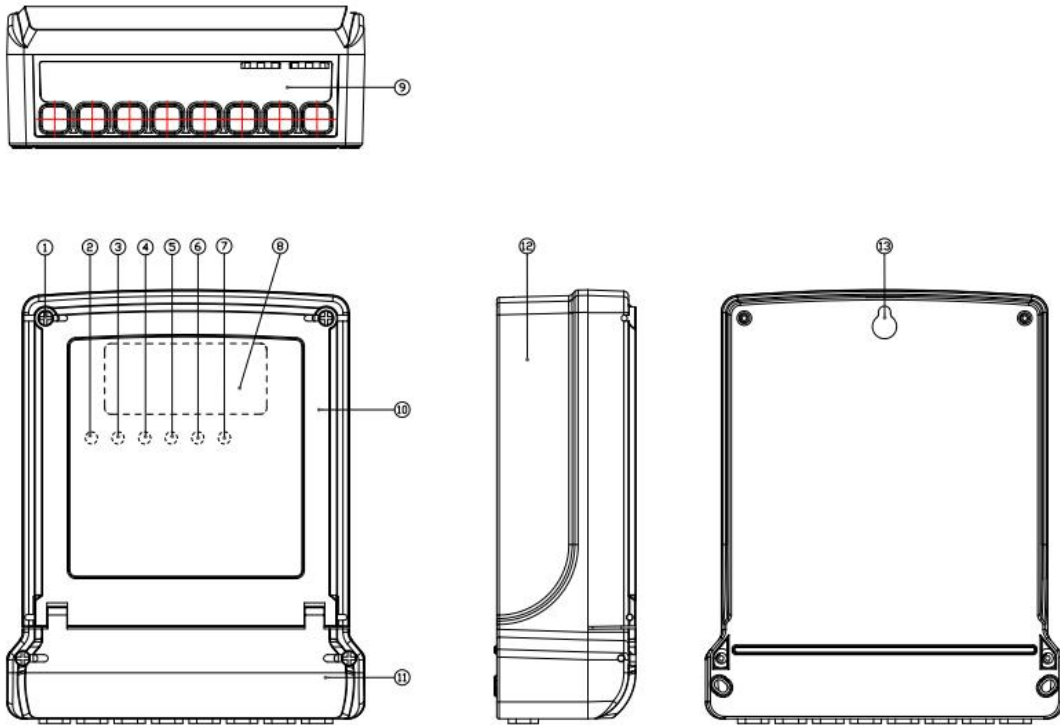
■ Dimensions



■ Connection diagram



■ Meter details



Drawing remarks:

- | | | | |
|---|--|---|---|
| ① | Screws for main cover | ② | LED indicator: 1000imp/kWh |
| ③ | LED indicator: 1000imp/kvarh | ④ | LED indicator: Loss voltage on phase L1 |
| ⑤ | LED indicator: Loss voltage on phase L2 | ⑥ | LED indicator: Loss voltage on phase L3 |
| ⑦ | LED indicator: current reverse on phases | ⑧ | LCD Display |
| ⑨ | Terminal block | ⑩ | Main/top cover |
| ⑪ | Terminal cover | ⑫ | Meter Base |
| ⑬ | Hook | | |

Shenzhen Tchrise Electronics Co., Ltd.

Add: Building 112, Liantang No.1 Industrial Community, Guowei Road, Luohu District, 518004 Shenzhen, China.

Website: www.sztechrise.com

Mail: zoraida@trj-china.com Tel: +86-13684991575